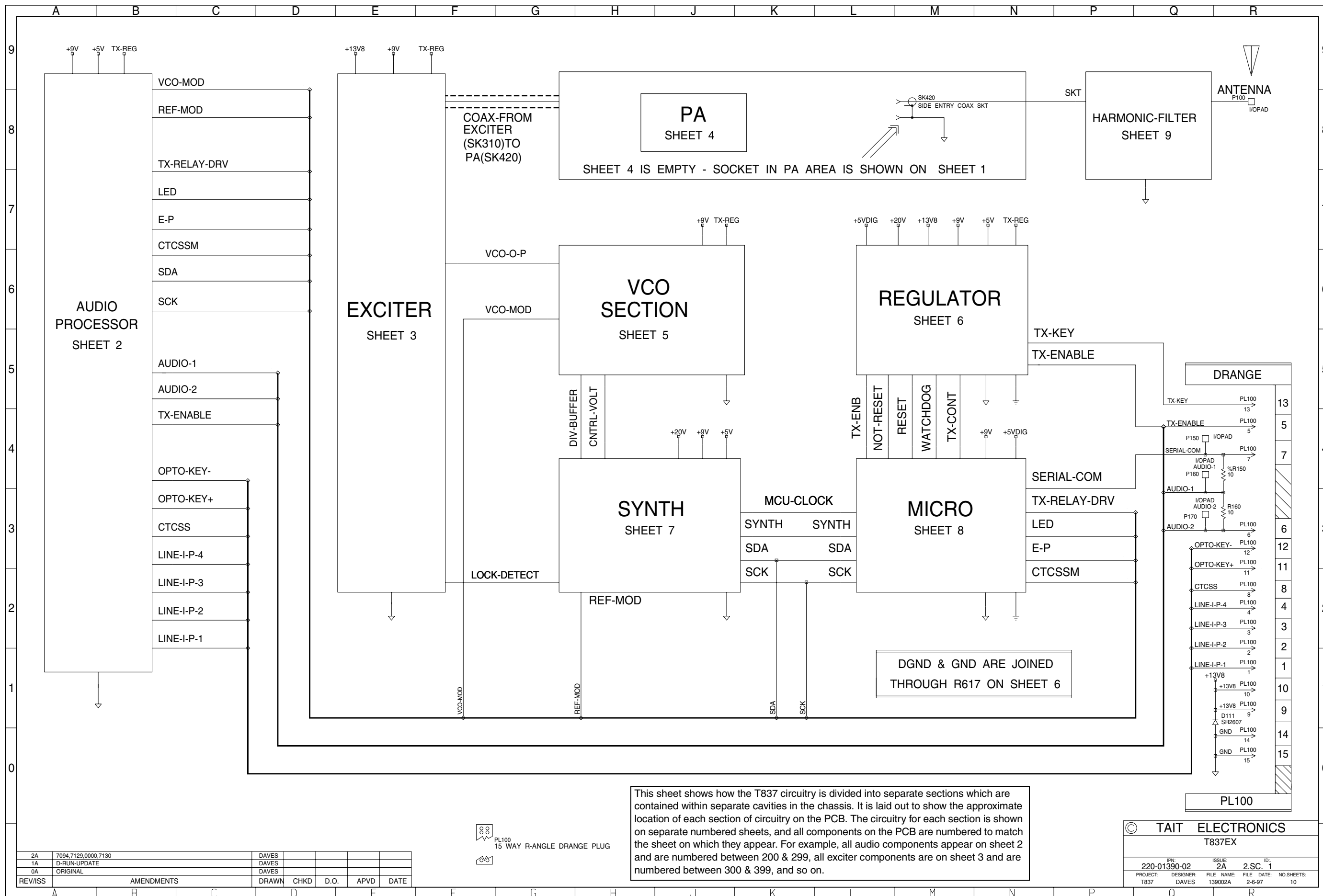


%D210 and %D205 are shown incorrectly on the PCB encoding as #D210 and #D205.

The darker shading shows the outline of the chassis.

%R150 (10Ω) is fitted only when the T837 is used in a Series I rack frame (refer to Part I for full details).

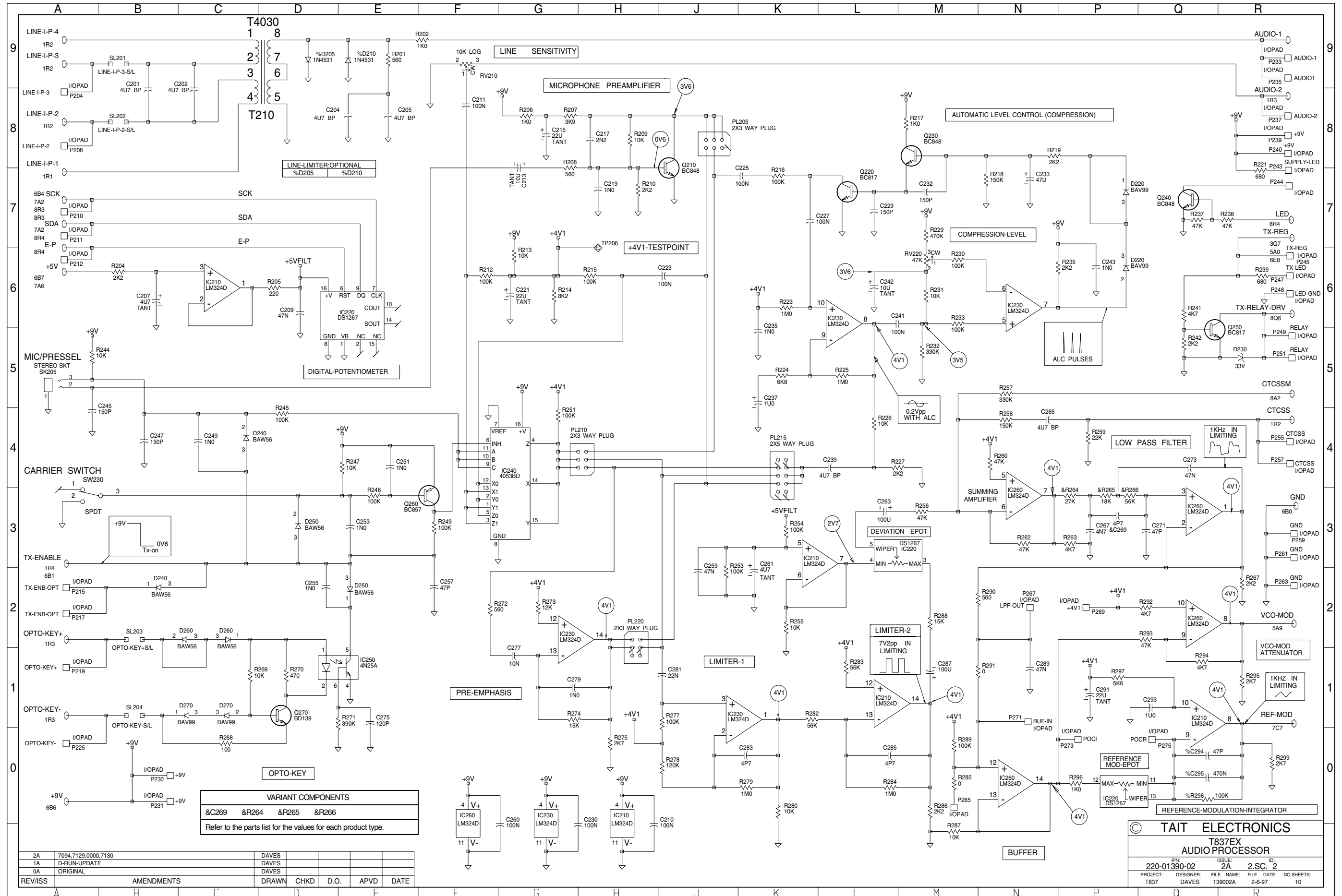
T837 PCB Layout - Top Side
220-01390-02

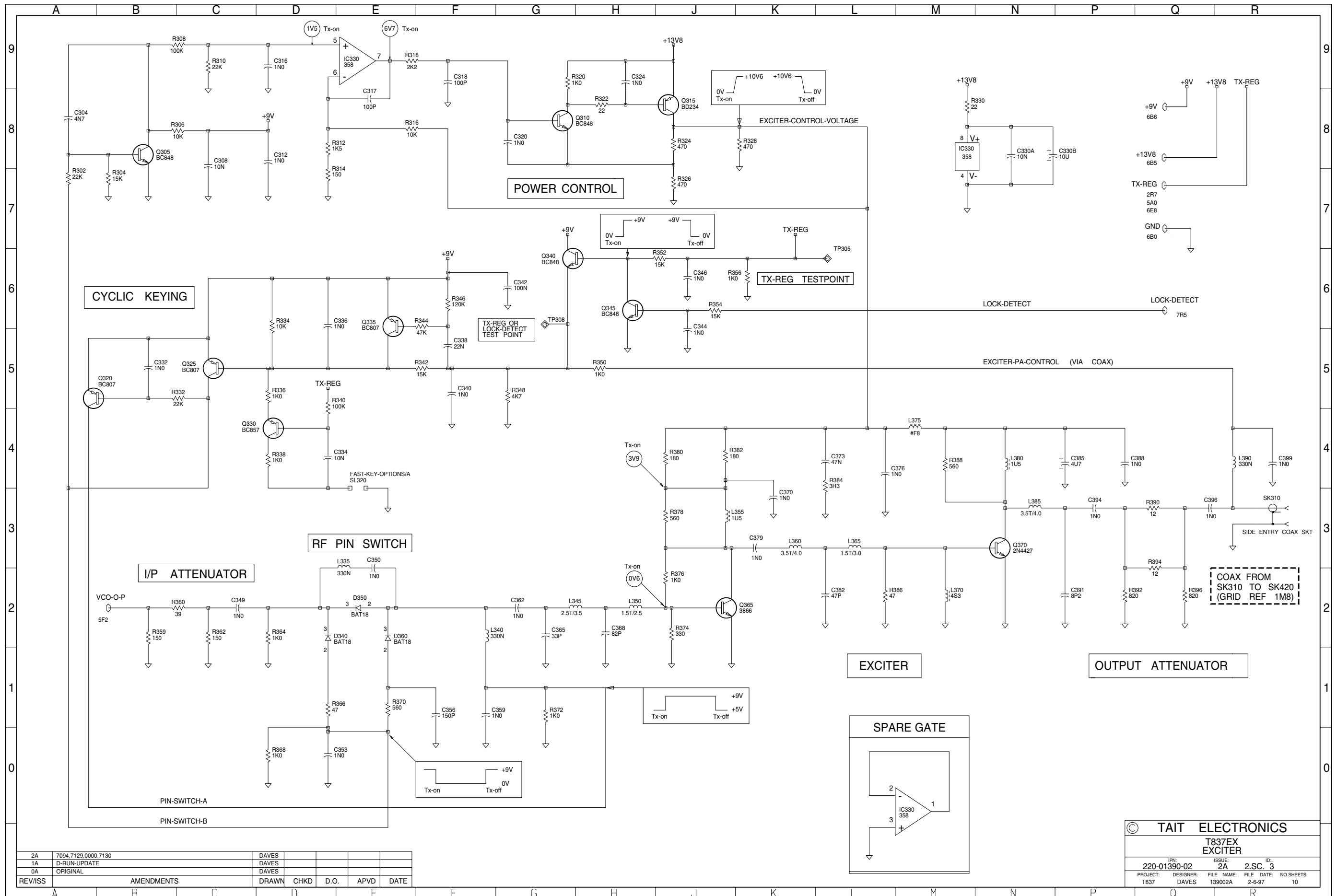


This sheet shows how the T837 circuitry is divided into separate sections which are contained within separate cavities in the chassis. It is laid out to show the approximate location of each section of circuitry on the PCB. The circuitry for each section is shown on separate numbered sheets, and all components on the PCB are numbered to match the sheet on which they appear. For example, all audio components appear on sheet 2 and are numbered between 200 & 299, all exciter components are on sheet 3 and are numbered between 300 & 399, and so on.

2A	7094.7129.0000.7130	DAVES				
1A	D-RUN-UPDATE	DAVES				
0A	ORIGINAL	DAVES				
REV/ISS	AMENDMENTS	DRAWN	CHKD	D.O.	APVD	DATE

© TAIT ELECTRONICS	
T837EX	
IPN: 220-01390-02	ISSUE: 2A ID: 2.S.C. 1
PROJECT: T837	DESIGNER: DAVES FILE DATE: 139002A 2-6-97 NO.SHEETS: 10

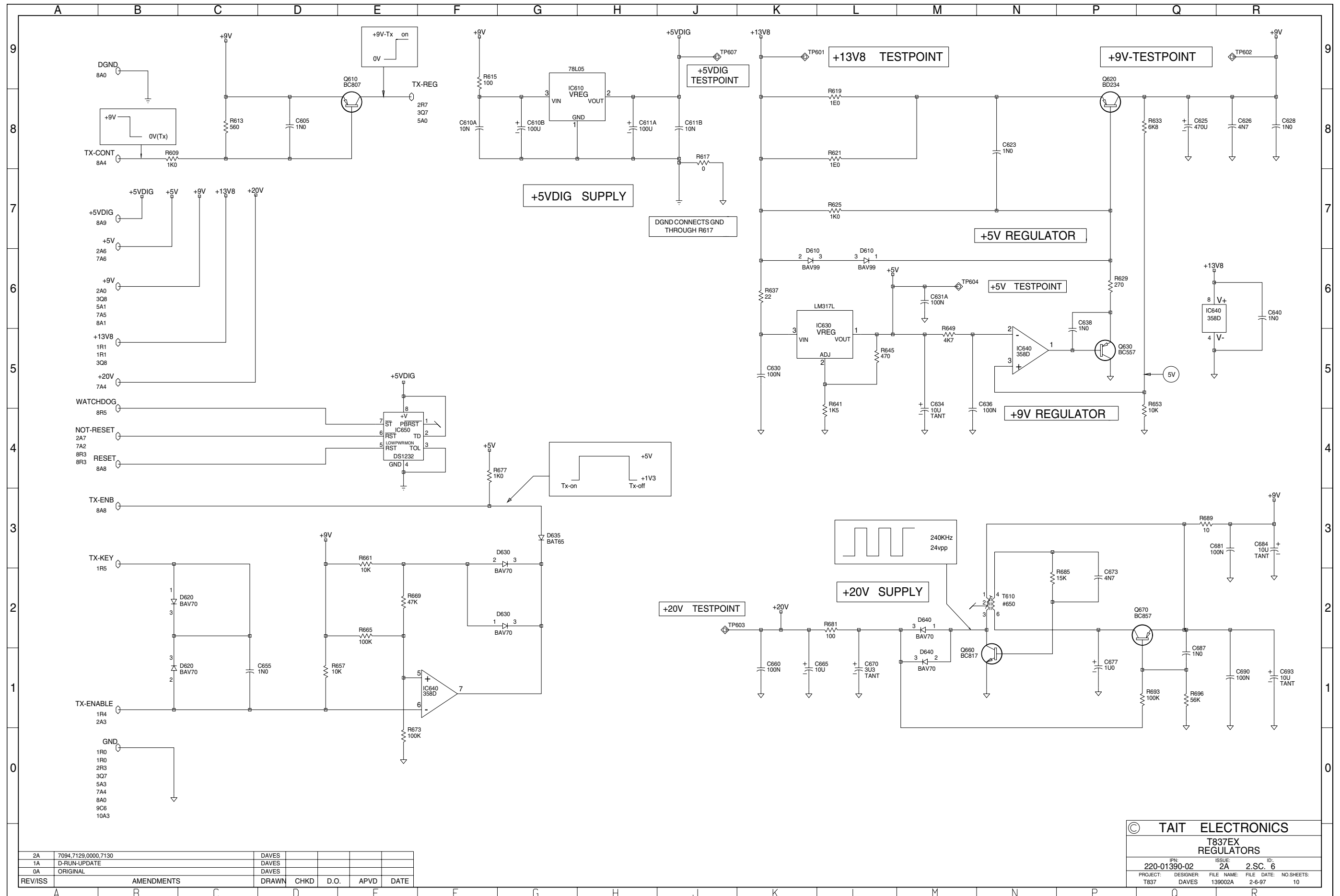




2A	7094.7129.0000.7130	DAVES				
1A	D-RUN-UPDATE	DAVES				
0A	ORIGINAL	DAVES				
REV/ISS	AMENDMENTS	DRAWN	CHKD	D.O.	APVD	DATE

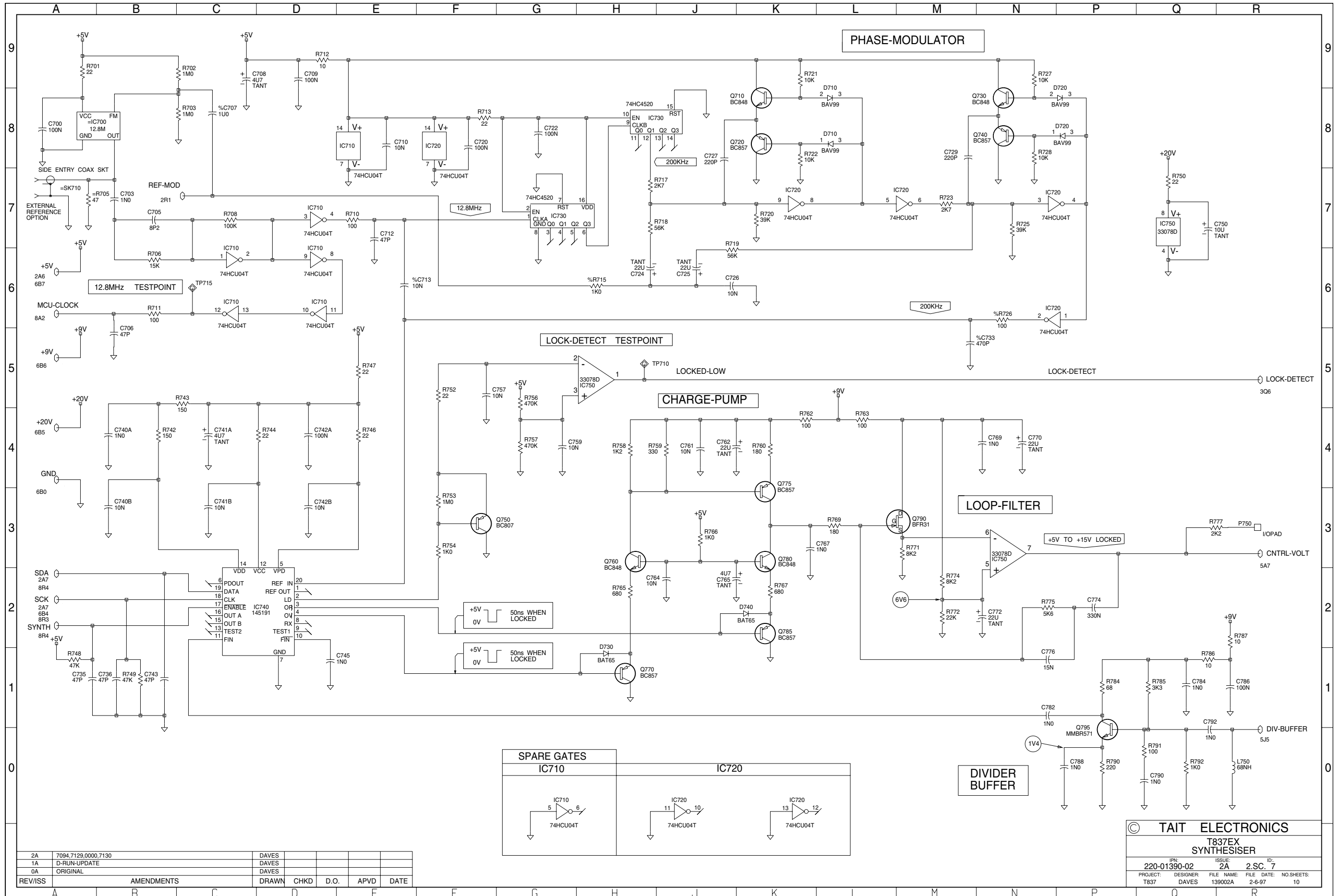
© TAIT ELECTRONICS			
T837EX EXCITER			
IPN:	ISSUE:	ID:	
220-01390-02	2A	2.S.C.	3
PROJECT:	DESIGNER:	FILE NAME:	FILE DATE:
T837	DAVES	139002A	2-6-97
			NO. SHEETS: 10

SK420 is the only component in this section of the T837 circuitry and is shown on sheet 1.



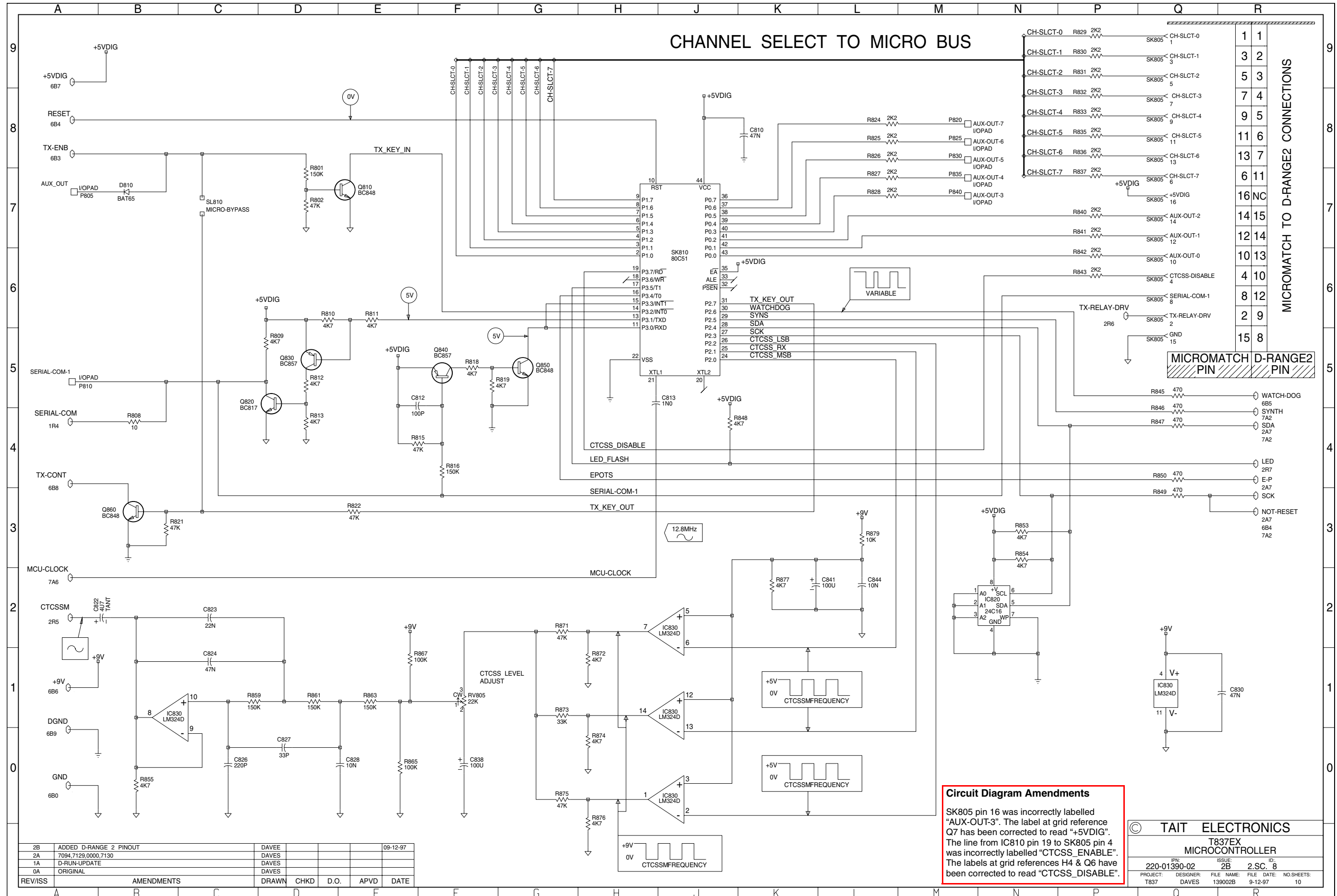
© TAIT ELECTRONICS	
T837EX REGULATORS	
IPN: 220-01390-02	ISSUE: 2A
DESIGNER: DAVES	FILE NAME: 139002A
FILE DATE: 2-6-97	NO SHEETS: 10

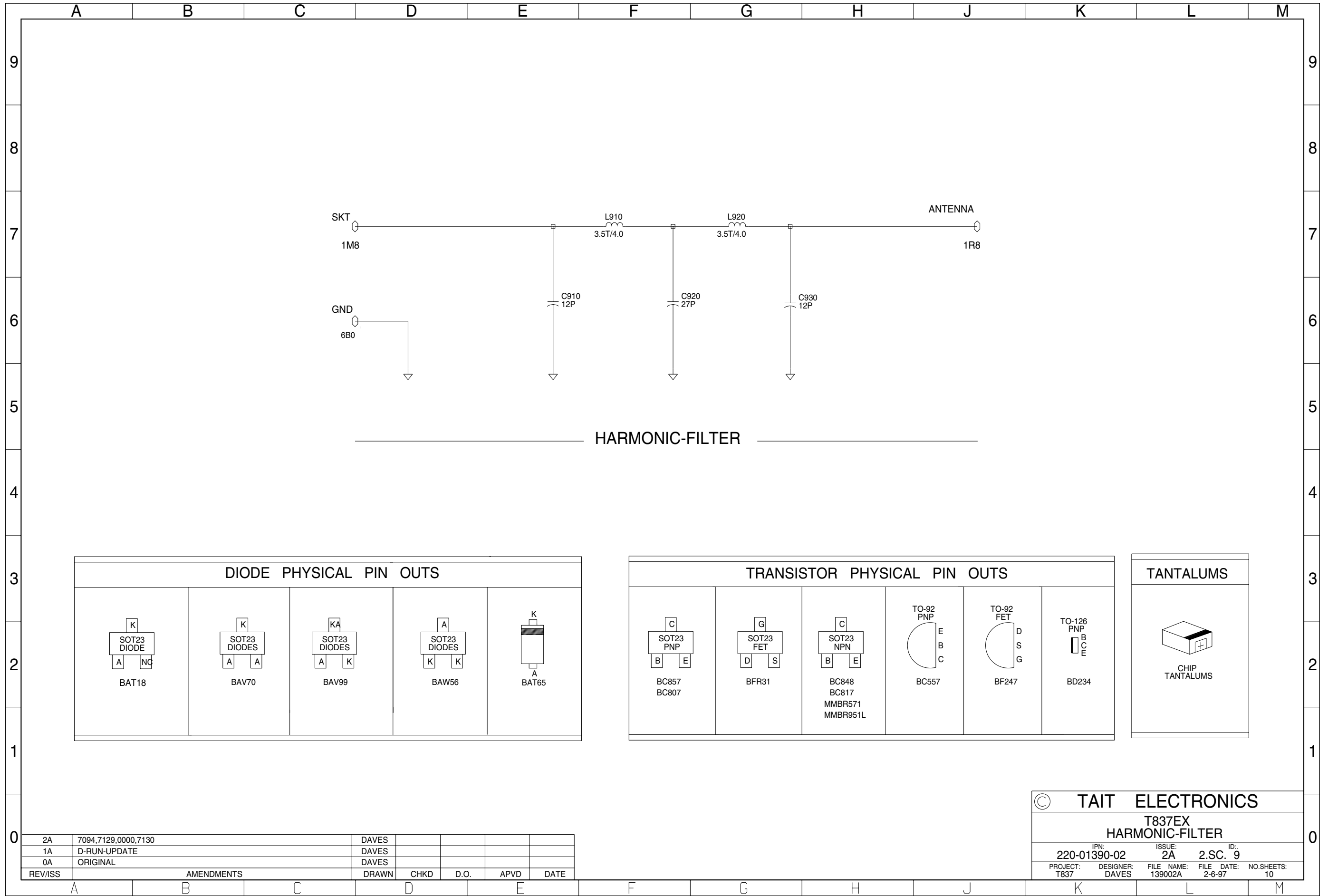
2A	7094.7129.0000.7130	DAVES				
1A	D-RUN-UPDATE	DAVES				
0A	ORIGINAL	DAVES				
REV/ISS	AMENDMENTS	DRAWN	CHKD	D.O.	APVD	DATE



2A	7094.7129.0000.7130	DAVES				
1A	D-RUN-UPDATE	DAVES				
0A	ORIGINAL	DAVES				
REV/ISS	AMENDMENTS	DRAWN	CHKD	D.O.	APVD	DATE

© TAIT ELECTRONICS			
T837EX SYNTHESISER			
IPN	ISSUE	ID	
220-01390-02	2A	2.S.C.	7
PROJECT:	DESIGNER:	FILE NAME:	FILE DATE:
T837	DAVES	139002A	2-6-97
			NO.SHEETS: 10





2A	7094,7129,0000,7130	DAVES				
1A	D-RUN-UPDATE	DAVES				
0A	ORIGINAL	DAVES				
REV/ISS	AMENDMENTS	DRAWN	CHKD	D.O.	APVD	DATE

© TAIT ELECTRONICS					
T837EX HARMONIC-FILTER					
IPN:	220-01390-02	ISSUE:	2A	ID.:	2.SC. 9
PROJECT:	T837	DESIGNER:	DAVES	FILE NAME:	139002A
		FILE DATE:	2-6-97	NO.SHEETS:	10